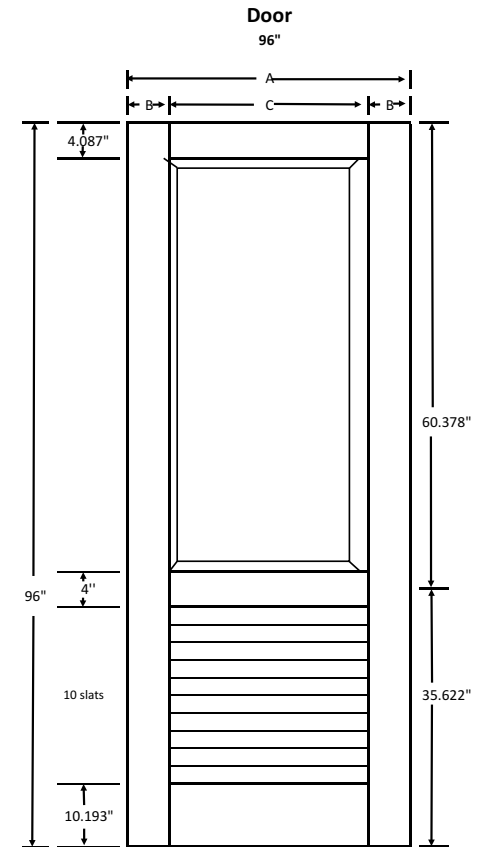
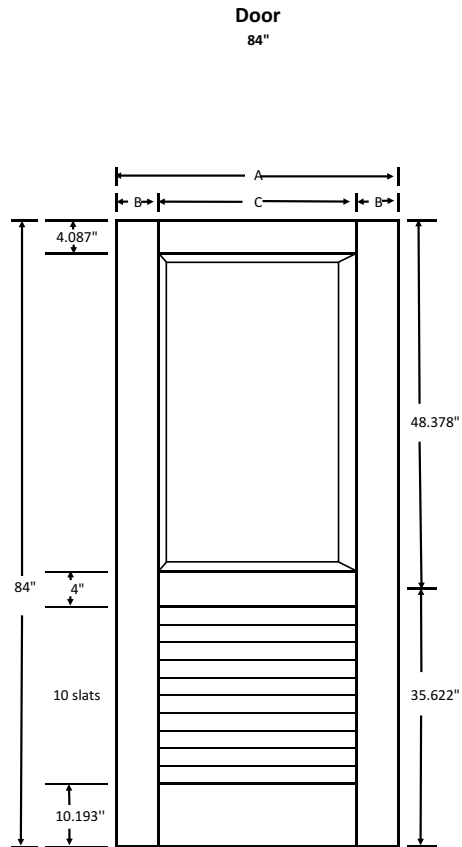
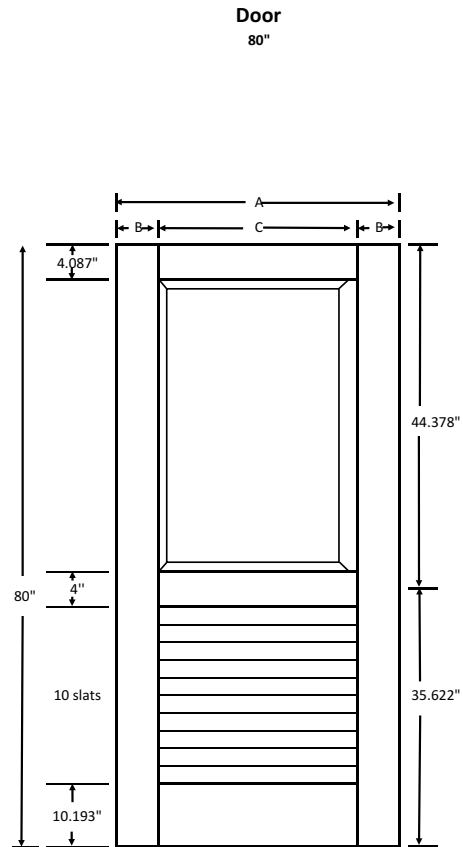


SPEC SHEET - Panel over Louver Large Slats



Door Width	Stile Width	Rail length
A	B	C
12"	2"	8"
14"	2"	10"
16"	2"	12"
18"	3-3/8"	11-1/4"
20"	3-3/8"	13-1/4"
22"	3-3/8"	15-1/4"
24"	4-3/8"	15-1/4"
26"	4-3/8"	17-1/4"
28"	4-3/8"	19-1/4"
30"	4-3/8"	21-1/4"
32"	4-3/8"	23-1/4"
34"	4-3/8"	25-1/4"
36"	4-3/8"	27-1/4"

Lock Rail can also be centered at 46.092" or in steps of 2.286"

